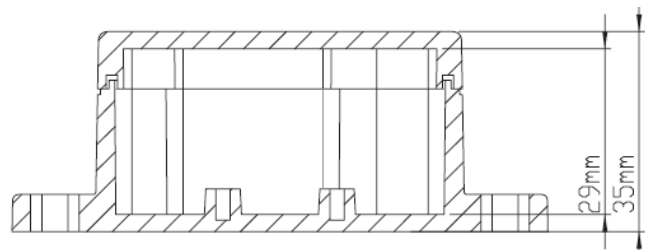
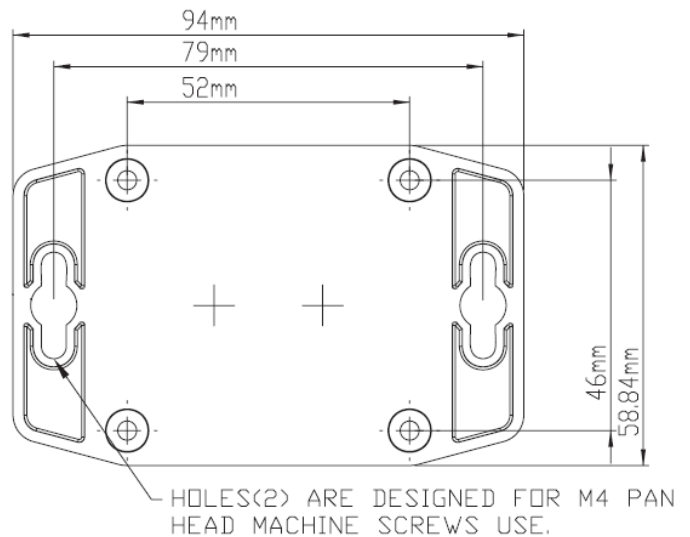


ELT-1

- Analog 0-10V
- Digital
- Pulse counter
- Direct connection to 1-wire temperature sensor
- Direct connection to Decagon moisture sensor
- Direct connection to SO outputs
- Direct connection to Maxbotix ultrasonic distance sensor
- Water leak sensor
- Embedded sensors for temperature, humidity and acceleration.
- NFC for easy configuration
- +14dBm maximum power



The ELT-1 is a 1-channel GPIO wireless transceiver for LoRaWAN™. The module can provide power to external sensors. The power-on time before data sampling can be adjusted.

All Elsys sensors are equipped with NFC for easy configuration by an Android smartphone. With our application "Sensor Settings", you can change sample rate, data rate, encryption keys, triggers, activation and much more.

All sensors have a global unique EUI-64 serial number.

Battery: 3.6V lithium AA-size

Approx. range: 8km @ LoRa™ modulation SF10

Battery life: Up to 10 years, depending on transmission interval.

US902-928, EU863-870, AS923, AU915-928, KR920-923