

# LoRaWAN™ wireless room sensor

## ERS

- Temperature
- Humidity
- Motion
- CO2 (optional)
- Light
- NFC for easy configuration
- LoRa™ Alliance Certified

Size: 86 x 25.5 x 86 mm

Battery: 3.6V AA lithium

Accuracy: ± 0.5°C, ±2%rh, ±45ppm

Resolution: 0.1°C, 0.1%rh, 1ppm

Range: 8km\*

Battery life: 10 years\*\*

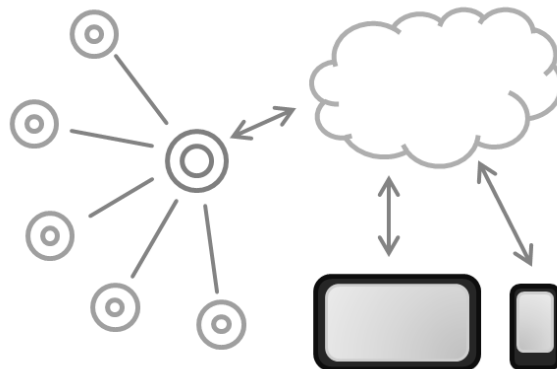
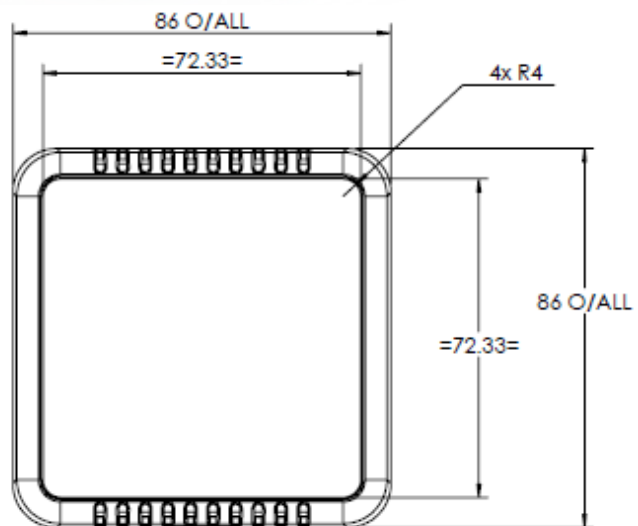
All Elsys sensors are equipped with NFC for easy configuration by an Android smartphone. With our application "Sensor Settings", you can change sample rate, data rate, encryption keys, triggers, activation and much more

All sensor modules have a global unique EUI--64 serial number.

\* LoRa™ modulation SF10

\*\* Depending on interval

**LoRa Alliance Certified**



## LoRaWAN™ wireless room sensor

### ERS-lite

- Temperature
- Humidity
- NFC for easy configuration
- LoRa™ Alliance Certified

Size: 86 x 25.5 x 86 mm

Battery: 3.6V AA lithium

Accuracy:  $\pm 0.5^{\circ}\text{C}$ ,  $\pm 2\%rh$ ,  $\pm 45ppm$

Resolution:  $0.1^{\circ}\text{C}$ ,  $0.1\%rh$ ,  $1ppm$

Range: 8km\*

Battery life: 10 years\*\*

US902-928, EU863-870, AS923,  
AU915-928, KR920-923

All Elsys sensors are equipped with NFC for easy configuration by an Android smartphone. With our application "Sensor Settings", you can change sample rate, data rate, encryption keys, triggers, activation and much more

All sensor modules have a global unique EUI--64 serial number.

\* LoRa™ modulation SF10

\*\* Depending on interval

**LoRa Alliance Certified**

