



B600 Serie

Quick-Releasable Connector



... Secure connection for light
vehicules !

B600

Catalog



◆ Description

The B600 connectors present a locking by an elastic clamp which enables very rapid disconnection in all axis.

These connectors are equipped with 6 and 7 contacts to be soldered and provide interfacing between radio sets.

The special function of multi-axis ejection makes it an essential component for motorbikes and other military dynamic applications.

Multi-axis Quick-releasable

Watertight

Ergonomics

Stainless steel

◆ Applications



Motorbikes



Headsets



Light vehicles

Plug
On cable



Receptacle
On panel



**Elastomer cap for receptacle
and extension**



Extension
On cable



B600

◆ Climatic and mechanical characteristics

	B600
Unlocking system	By pushing the plug on one side or traction
Operating temperature range	-35°C to +85°C
Endurance	5000 Operations
Sealing performance	IP65 (connected and disconnected)

◆ Electrical characteristics

	B600 (6 and 10 contacts)
Working voltage	42 Veff max, 30mV mini
Current rating per contact	50 mA, 30 µA mini
Dielectric	500 Veff à 50 Hz
Contact type	Solder cup
Contact resistance	≤ 20 mOhms at 25°C
Insulation resistance	≥ 5000 MOhms
Crosstalk connectors mated	80dB
Gauge (AWG)	20

B600

◆ Material and plating

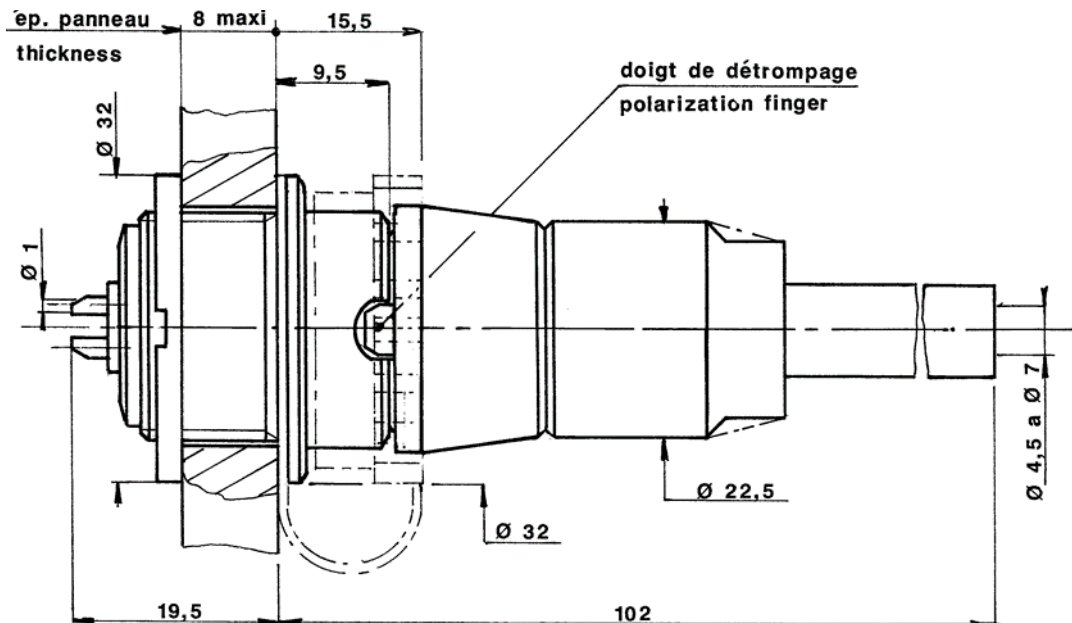
	Material	Plating
Connector shell	Stainless steel	-
Insulator	Thermosetting	-
Contacts	Aluminium Alloy	Gold
Backshell shell	Aluminium	Black chrome



◆ Connectors

Description	Code	B600	06	R	06	N	1
Serie	B600	↑	↑	↑	↑	↑	↑
Connector type :							
Extension	01						
Plug	06		↑				
Receptacle	07						
Receptacle with hexagonal nut	08						
Backshell for plug and extension :							
Straight backshell with cable shield continuity	R			↑			
Ground ring for receptacle :							
Ground ring included in receptacle shell	CM						
Contact number	06, 07, 10				↑		
Keyway	N					↑	
Plating :							
Black	1						↑
Sandblasted	6						

◆ Dimensions (receptacle and plug connected)



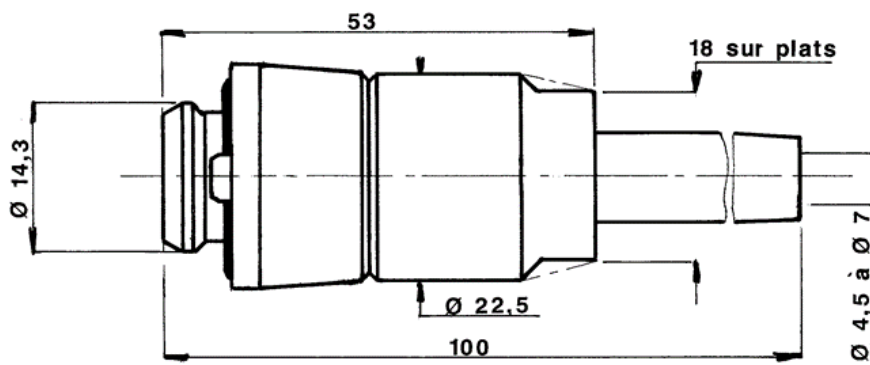


BERNIER

◆ Plug with contact to be soldered



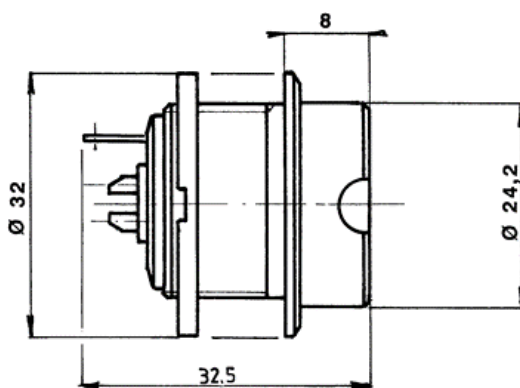
Ex: B600 06 R06 N1



◆ Receptacle with contacts to be soldered and ground ring (front mounting)



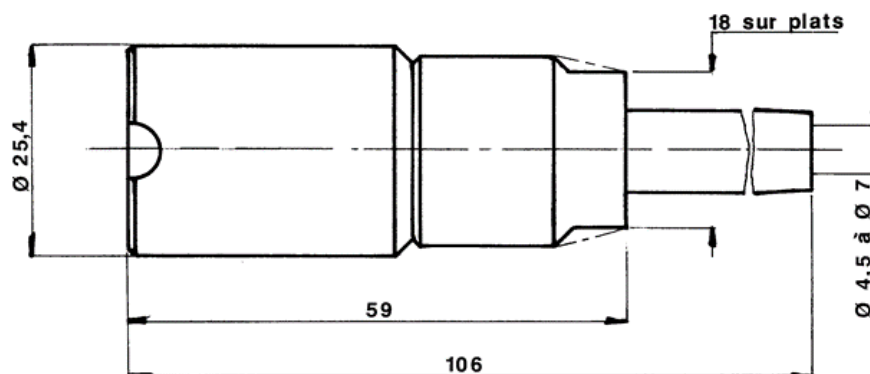
Ex: B600 07 CM06 N1



◆ Extension with contacts to be soldered

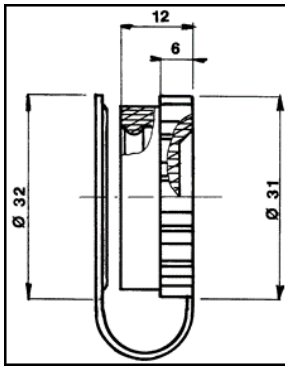


Ex: B600 01 R06 N1

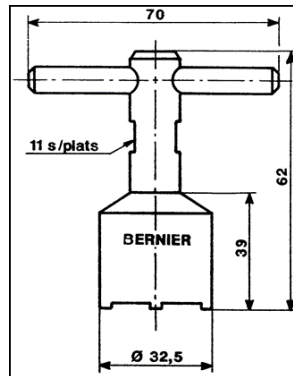


◆ Accessories

Description	Part number
Elastomer cap for receptacle	B600 BKCE
Tightening key for the receptacle nut	Contact us
Strap tool for the backshell	B574



B600 BKCE



B574

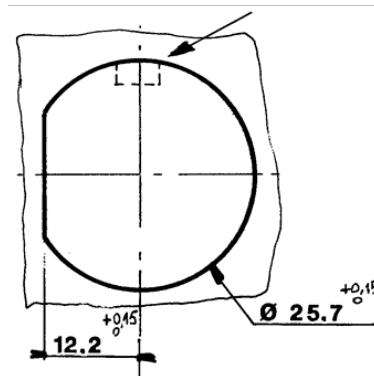
◆ Weights

Description	Weight (grams Max)
Receptacle	60 g
Plug	42 g
Extension	100 g
Receptacle cap	5 g

Standard material

B600

◆ Panel cut for receptacle



◆ Tightening torque

Receptacle nut	Backshell
15N.m	9N.m

CMA Serie
Push-Pull / Quick-Releaseable Connector

... For an optimum data transfer in harsh environments !

Catalog

Revised 15 - JUNE 2016
www.bernier.tm.fr

CMA5D Serie
Push-Pull Connector

... Toughness and reliable high speed data transfer in small dimensions !

Catalog

Revised 15 - JUNE 2016
www.bernier.tm.fr

CMALD Serie
Push-Pull and Quick-Releaseable Connector

... Toughness and Ergonomics allied with a high contact density configuration !

Catalog

Revised 15 - JUNE 2016
www.bernier.tm.fr

MMC Serie
Compact Quick-Releaseable Connector

... for a robust and ergonomic high-speed data connection !

Catalog

Revised 15 - JUNE 2016
www.bernier.tm.fr

PAM Serie
Bayonet Connector

... the good connection for your tactical equipments !

Catalog

Revised 22 - JUNE 2016
www.bernier.tm.fr

55116 Serie
Bayonet Connector

... The Crypto and Audio communication standard !

Catalog

Revised 22 - JUNE 2016
www.bernier.tm.fr

221 Serie
Quick-Releaseable Connector

... Easy use and communication reliability in operation !

Catalog

Revised 22 - JUNE 2016
www.bernier.tm.fr

POW Serie
Power Connector

Catalog

Revised 15 - JUNE 2016
www.bernier.tm.fr

360L6 Serie
Avionic Connector

... the best connection for On Board communications !

Catalog

Revised 22 - JUNE 2016
www.bernier.tm.fr

B600 Serie
Quick-Releaseable Connector

... Secure connection for light vehicles !

Catalog

Revised 22 - JUNE 2016
www.bernier.tm.fr

JCC Serie
Jack Connector

... For a basic but secured connection on communication equipments !

Catalog

Revised 22 - JUNE 2016
www.bernier.tm.fr

U Serie
Audio Connector

... The Toughest solution for audio applications !

Catalog

Revised 22 - JUNE 2016
www.bernier.tm.fr

CCF700 Serie
Coaxial connector

... the suitable connector for cockpit equipments !

Catalog

Revised 22 - JUNE 2016
www.bernier.tm.fr

MH Serie
Hexagonal Connector

... suitable for command signals !

Catalog

Revised 22 - JUNE 2016
www.bernier.tm.fr

BERNIER Services
Solutions • Operations • Products

... Innovation and Technologies knowledge for your project solution !

Catalog

Revised 15 - JUNE 2016
www.bernier.tm.fr

Relays
H • PC16 • MTD

... The right solution for the command of Electrical/Power systems !

Catalog

Revised 22 - JUNE 2016
www.bernier.tm.fr

Find more on

www.bernier.tm.fr

This catalogue and its content are BERNIER property, all rights reserved
All information contained in this catalogue can be changed without prior notice
Dimensions in mm