

- ✓ Universal 90-264 VAC Input, 50/60 Hz
- ✓ Medical IEC 60601-1 3rd Edition Safety
- ✓ EN 60601-1-2 4th Edition EMC
- ✓ EN 55011 (CISPR11) Class B Emissions
- ✓ BF Leakage Current, 2 MOPP Isolation
- ✓ Remote Output Enable & Monitoring



## PRODUCT DESCRIPTION

Astrodyne TDI's ASX0550-xx-20 is a medical grade multi-output low voltage power system in a 1U rack mount configuration that is Class I input, with 20 electronically controlled and monitored 2.2A outputs (combined max. 550W). All outputs are 2 MOPP isolation and BF leakage current protection.

This power supply can operate over the input voltage range of 90 to 264 VAC at 50-60Hz frequency and deliver up to 550 Watts of regulated DC output power.

The ASX0550-xx-20 has been certified to the IEC 60601-1 3rd Edition international medical safety standard and EN 60601-1-2 4th Edition for electromagnetic compatibility.

### INPUT SPECIFICATIONS

AC Input Voltage Range	100-240 VAC nominal 90-264 VAC tested
Input Frequency	47-63 Hz (50/60 Hz nominal)
Input Current	7A max at 100VAC, 60Hz
Inrush Current	30A max at 100VAC, 60Hz
Power Factor	0.95 min at 230VAC, 50Hz
Earth Leakage Current	300uA max at 264VAC
Touch Leakage Current	<100uA at 264VAC (BF Rating)
Input Fuse	10A Dual built into IEC

### ENVIRONMENTAL SPECIFICATIONS

Operating Temperature	-20 to +50°C at full load,
Cooling	Internal fans
Storage Temperature*	-40 to +85°C
Operating Humidity*	0% to 95%, non-condensing
Operating Altitude	0-3000m / 0-10,000 ft
Vibration	2G rms, 5-500Hz, 3 axes, 30min.

Get technical support and assistance from our specialist team:

[smartwave@apcplc.com](mailto:smartwave@apcplc.com) | 0330 313 3220

APC Technology Group

6 Stirling Park, Laker Road, Rochester, Kent ME1 3QR  
+44 (0)330 313 3220 • [info@apcplc.com](mailto:info@apcplc.com) • [www.apcplc.com](http://www.apcplc.com)

## MAIN OUTPUT SPECIFICATIONS

Available Output Voltages	12, 15, 18, 24, 28, 36, 48, 54VDC
Output Power	20 outputs @ 2.2A max. Combined max. of 550W each
Minimum Load	No minimum load required
Set Point Accuracy	±1% typical
Load Regulation	±1% typical, no load to full load
Line Regulation	±0.5% max, 90-264 VAC
Efficiency	>87%
Standby Power	0.5W max
Hold-up Time	16ms typ., full load, 115VAC
Ripple and Noise	1% pk-pk max, 20MHz BW, measured with 47uF Alum and 0.1uF Ceramic at output

## ISOLATION

Input to Output	4000 VAC, 2 MOPP
Input to Earth (Class I)	1500 VAC, 1 MOPP
Output to Earth (Class I)	500 VAC

## PROTECTION

Over Current *	105 to 135% Rated Current
Short Circuit *	Hiccup Mode, Automatic recovery
Over Voltage *	130% Vo max, Latching; Recycle Input to Reset
Over Temperature *	Automatic recovery
Front panel LED's indicate	AC Input, DC Output, FAULT

## SAFETY AND COMPLIANCE CERTIFICATIONS

Safety Approvals	IEC 60601-1 3 <sup>rd</sup> Ed, Amend 1: TUV, CB/CE, CSA C22.2
EMC Overall	EN60601-1-2, 4 <sup>th</sup> Ed, Class B
Conducted and Radiated Emissions	EN 55011 (CISPR11), Class B
Harmonic Current	EN 61000-3-2, Class A
Voltage Fluctuations	EN 61000-3-3
ESD Immunity	EN 61000-4-2, Level 4
RF Field Immunity	EN 61000-4-3, Level 3
EFT Burst Immunity	EN 61000-4-4, Level 3
Surge Immunity	EN 61000-4-5, Level 3
Conducted Immunity	EN 61000-4-6, Level 3
Magnet Field Immunity	EN 61000-4-8, Level 4
Voltage Dips and Interruptions	EN 61000-4-11

## MECHANICAL SPECIFICATIONS

Size	Horizontal: 19" Vertical: 1.75" Depth: 14"
Weight	8 lbs
Connectors	Input- IEC60320, C14 Output- Phoenix Contact 20ea. P/N 0711577 Comm.- DB9 Earth Ground- stud

*\*These are stress ratings. Exposure of the devices to any of these conditions may adversely affect long-term reliability. Operation under conditions other than standard operating conditions is neither warranted nor implied.*

*All specifications are typical at nominal input, full load, 25°C unless specified otherwise*

Get technical support and assistance from our specialist team:

[smartwave@apcplc.com](mailto:smartwave@apcplc.com) | 0330 313 3220

APC Technology Group

6 Stirling Park, Laker Road, Rochester, Kent ME1 3QR  
+44 (0)330 313 3220 • [info@apcplc.com](mailto:info@apcplc.com) • [www.apcplc.com](http://www.apcplc.com)

## HOW TO ORDER

ASX0550 - xx - 20

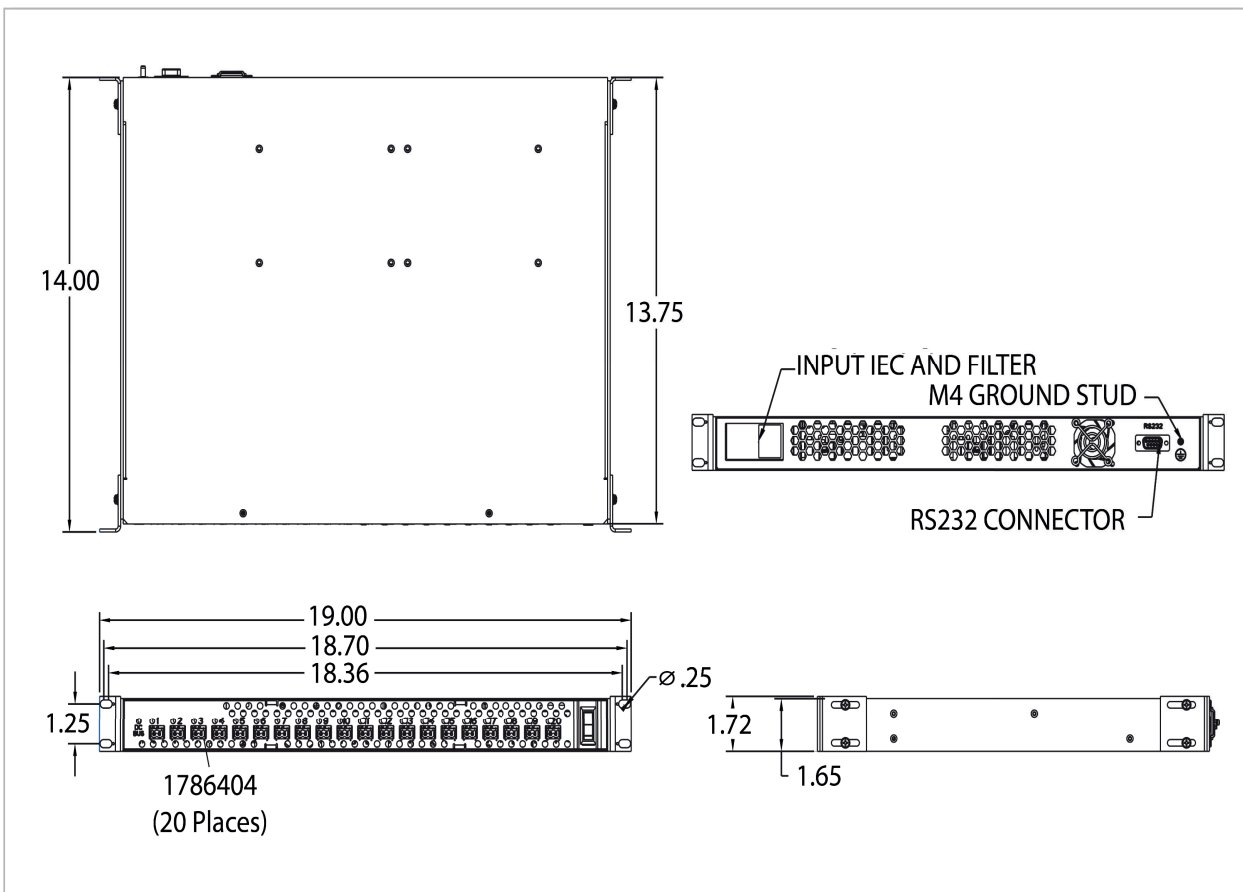
20 = NUMBER OF OUTPUTS

XX = DC OUTPUT VOLTAGE #1 & #2

SERIES



## MECHANICAL OUTLINE



Get technical support and assistance from our specialist team:

[smartwave@apcplc.com](mailto:smartwave@apcplc.com) | 0330 313 3220

APC Technology Group

6 Stirling Park, Laker Road, Rochester, Kent ME1 3QR  
+44 (0)330 313 3220 • [info@apcplc.com](mailto:info@apcplc.com) • [www.apcplc.com](http://www.apcplc.com)